

INSTRUCTION MANUAL

AIRBRUSH COMPRESSOR AS18-2

Thanks for purchasing our air compressor and please read this instruction manual carefully and thoroughly before operating the air compressor to receive optimum results.



1. Features & Functions:

Features:

Air pressure gauge; Air filter; Pressure adjustable.

Piston type: Oil-free.

It can start with pressure, continuous working, powerful.

Thermally protected.

Low Noise: 62db.

Auto-start and auto-stop function.

2. Data Sheet:

Type: Single Cylinder Piston Compressor

Power: 1/6HP

Speed: 1450/1700 r.p.m

Air Flow: 20~23L/Min

Auto-stop at the 4 Bar(57Psi), and Auto re-start from the 3 Bar(43Psi)

Pressure adjust range: 0~4BAR

Suitable for airbrush with nozzle size: 0.2~1.0MM

Net Weight: 3.6KG

Dimension: 275×140×220mm

3. Operation directory:

1. Usually the outlet thread size of our air compressor is 1/8" BSP. If you need the 1/4" BSP or other NPT screw thread, you may get the other adapters to fix the outlet, then you can connect with different air hoses.
2. The original air hose have rubber airproof inside; the user can make the airtight by hand, and get good performance. If the air hose is not the original, usually the air hose and air compressor cannot be well airproof. However, 100% airtight is only effective for auto stop function air compressor. Seal thread tape can be used to prevent leakage. This elastic tape is available in all stores selling sanitary products.
3. Connect the air compressor, air hose and airbrush (or other air tools), plug into the mains supply, turn on the switch, then the air compressor will start work. The press gauge will show the max pressure, and you can adjust the working pressure by adjusting the pressure adjustor.
4. Checking the air leakage. Please do not use any air tools before the compressor reach the maximum pressure and observe whether it will be auto-stop. If the compressor will not be auto-stop, please turn off the switch, then check the index on pressure gauge, if it is very steady, means the airtight is very good; While the index decline down quickly, it means there has the air leakage in the area of the connection. Please check and make it airtight, because any small leakage will affect the performance of the compressor. (It may lead to frequently auto-stop and auto-start).
5. The difference between maximum pressure and working pressure. The compressor's maximum pressure is the highest pressure it can build up, and the working pressure is the one shown on the pressure gauge When the connected airbrush is opened. Apparently, the working pressure is the constant pressure the compressor can maintain during airbrushing. The level of this working pressure depends on the nozzle diameter of the airbrush to which it is connected; the larger the nozzle diameter, the bigger the amount of air which can escape and the lower the compressor's working pressure.
6. The bottom of the regulator & filter is the water release valve, and users can open the valve to release the water or moisture at any time.

4. Notice:

1. The users should choose the right air compressor with suitable air flow and pressure according to the actual work requirement.
2. Before connecting the compressor, check the main voltage compatible with the electrical characteristics of the motor.
3. Please follow local electrical rules, and safety rules. And use the socket which must be earthing.
4. Never leave the appliance exposed to dust, acids, vapors, explosive or flammable gasses or atmospheric agents (rain, sun, fog, snow).
5. The vacuum pump must be used in suitable environments (well-ventilated, with an ambient temperature between +5°C and +40°C)
6. Never use the appliance in your bare feet or wet feet, as well as the wet hand.
7. Never allow the children to touch the working machine or insert the stick into the machine. It will cause the danger of scald or get an electric shock.
8. Do not open or tamper with any part of the compressor. Contact an authorized Service Center.

5. Operation of Regulator & Filter



Type: AFR-2000

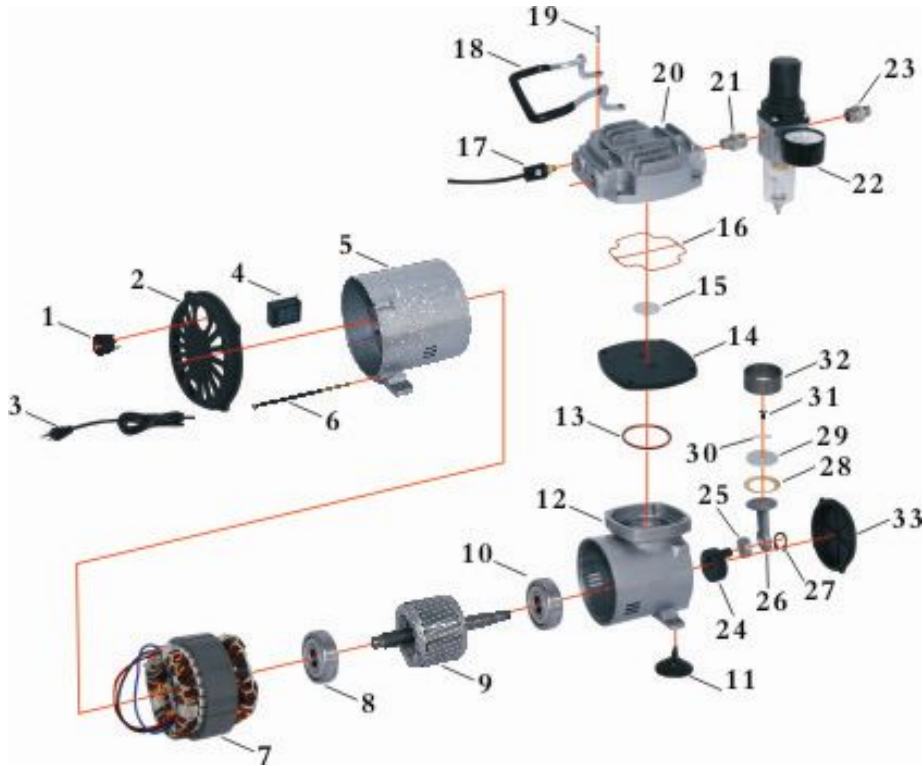
Characteristic:

The AFR-2000 is an in-line low pressure regulator with a 100 P.S.I gauge and moisture trap. This regulator gives user control of operating pressure as well as assisting in furnishing clean, dry and regulated air. Regulators must only be used as instruction and warnings specify.

Operation:

1. The gauge reflect the working pressure of the air tools.
2. Pull the Pressure regulator up; turn clockwise to increase the pressure; turn counter-clockwise to reduce the pressure.
3. Turn the pressure regulator to get the right working pressure needed, and fix it. Do not turn the button when it can not be adjusted.
4. Pull the button water-release valve to release the water.

6. SPARE PART LIST:



PARTS LIST

INDEX NO.	PARTS NO.	DESCRIPTION	Q'TX	INDEX NO.	PARTS NO.	DESCRIPTION	Q'TX
1	AS-18-2 #1	POWER SWITCH	1	18	AS-18-2 #18	HANDLE	1
2	AS-18-2 #2	FRONT COVER	1	19	AS-18-2 #19	SCREW	4
3	AS-18-2 #3	WIRE	1	20	AS-18-2 #20	CYLINDER HEAD	1
4	AS-18-2 #4	CONDENSER	1	21	AS-18-2 #21	CONNECTOR	1
5	AS-18-2 #5	REAR BODY	1	22	AS-18-2 #22	FILTER VALVE	1
6	AS-18-2 #6	SCREW	4	23	AS-18-2 #23	CONNECTOR	1
7	AS-18-2 #7	STATIONARY MOTOR	1	24	AS-18-2 #24	COUNTERWEIGHT	1
8	AS-18-2 #8	BEARING	1	25	AS-18-2 #25	BEARING	1
9	AS-18-2 #9	ROTARY MOTOR	1	26	AS-18-2 #26	LINK	1
10	AS-18-2 #10	BEARING	1	27	AS-18-2 #27	SNAPRING	1
11	AS-18-2 #11	RUBBER PAD	4	28	AS-18-2 #28	COMPRESSION RING	1
12	AS-18-2 #12	FRONT COVER	1	29	AS-18-2 #29	BLOCK	1
13	AS-18-2 #13	O-RING	1	30	AS-18-2 #30	VALVE PLATE	1
14	AS-18-2 #14	CYLINDER BLOCK	1	31	AS-18-2 #31	SCREW	1
15	AS-18-2 #15	O-RING	1	32	AS-18-2 #32	CYLINDER	1
16	AS-18-2 #16	O-RING	1	33	AS-18-2 #33	FRONT COVER	1
17	AS-18-2 #17	PRESSURE SWITCH	1				

7、 Air compressor structure

- a. Power plug
- b. Power switch
- c. Handle
- d. Pressure regulator
- e. Pressure gauge
- f. Connection
- g. Air filter

